

Silamas (Myanmar) Co., Ltd

MIC License 10/2017

Engineered Transport and
Lifting Solutions

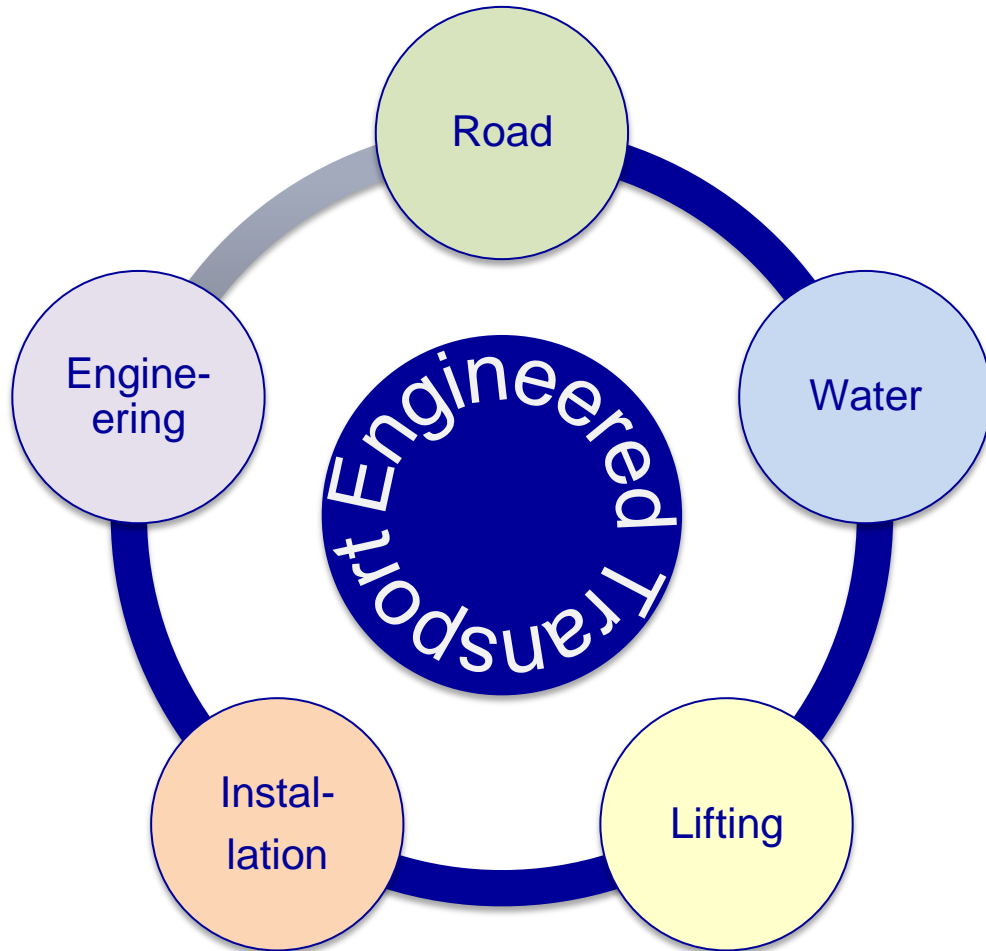


Background

- Established 2017 in Yangon
- MIC License 10/2017
- Office Yankin Township, Yangon
- Yard in Thanlyin near SEZ and MITT Port
- Head Office Bangkok, Thailand
- Established 1990
- Branch office Laem Chabang and Laos
- Yard:
 - Bangkok 35,200 sqm / 8.7 acres
 - Laem Chabang 1 57,500 sqm / 14.2 acres
 - Laem Chabang 2 36,500 sqm / 9.0 acres
 - Yangon (Thanlyin) 4,050 sqm / 1.0 acres



Core Business

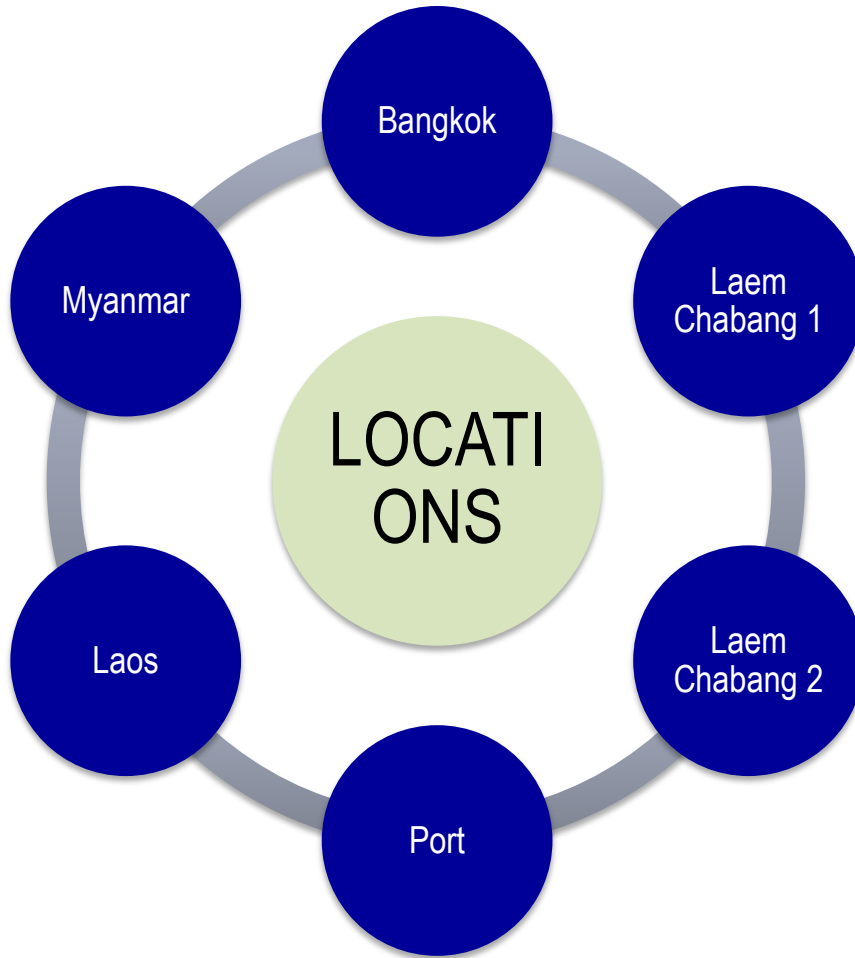


SILAMAS (MYANMAR) CO., LTD

Unit 21, Room #01, Shwe Ohn Pin Housing, Yan Shin Street, Yankin Township 11081, Yangon, Myanmar
www.silamas.com



Locations



Locations



Bangkok
35,200 m²
8.7 acres
22 rai



Laem Chabang 1
57,600 m²
14.2 acres
36 rai



Laem Chabang 2
36,800 m²
9.0 acres
23 rai

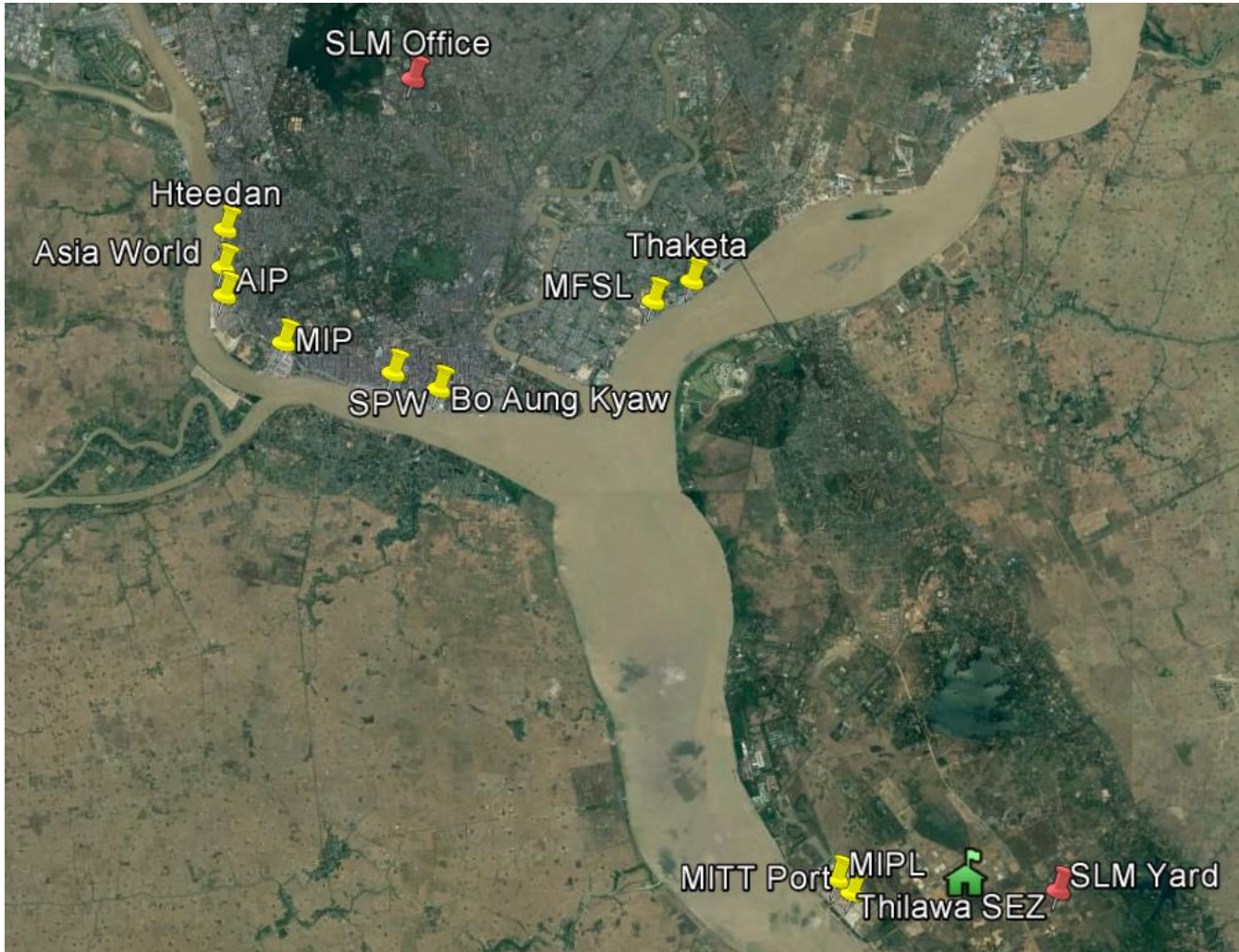


SILAMAS (MYANMAR) CO., LTD

Unit 21, Room #01, Shwe Ohn Pin Housing, Yan Shin Street, Yankin Township 11081, Yangon, Myanmar
www.silamas.com



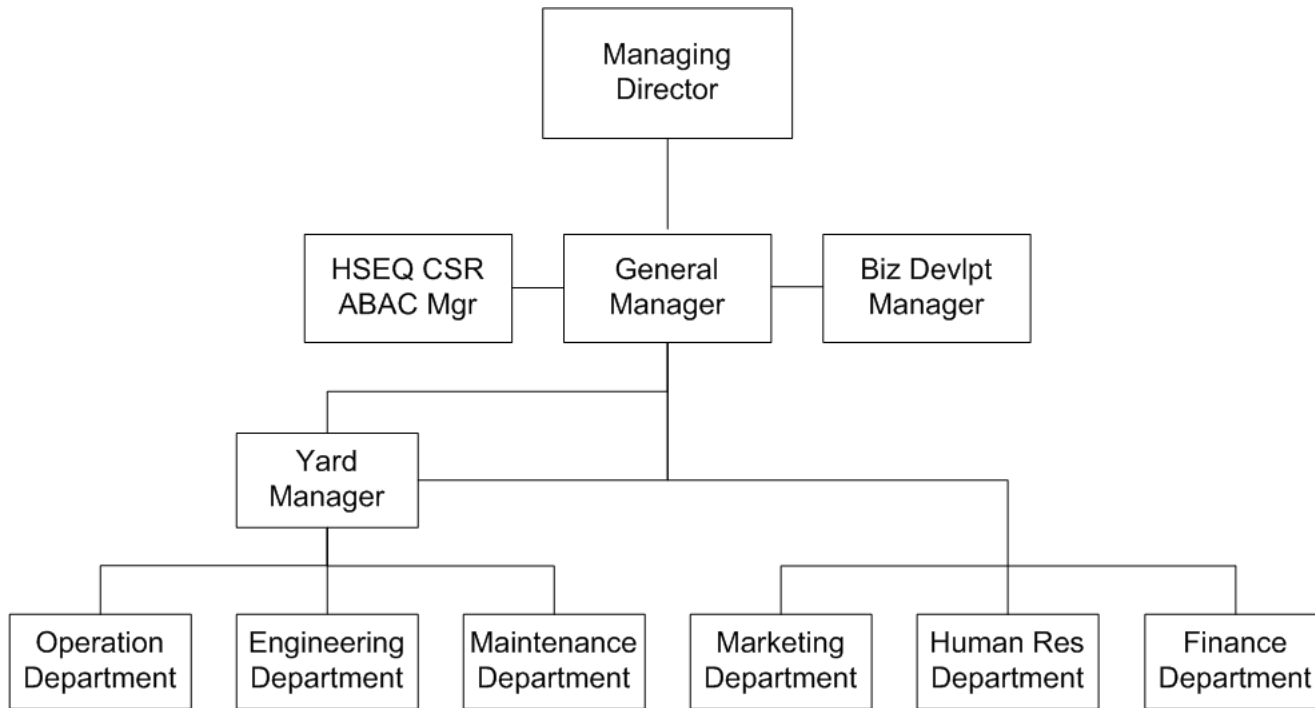
Locations



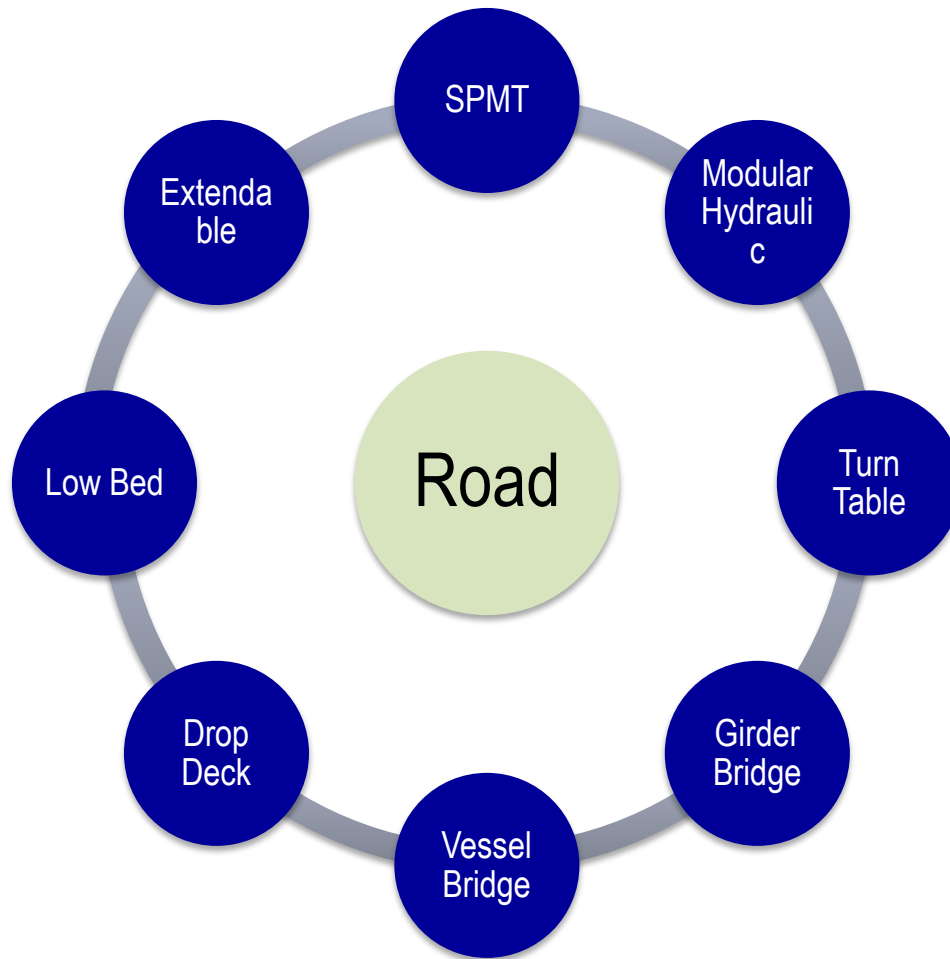
SILAMAS (MYANMAR) CO., LTD

Unit 21, Room #01, Shwe Ohn Pin Housing, Yan Shin Street, Yankin Township 11081, Yangon, Myanmar
www.silamas.com

Organization Chart



Road



SPMT

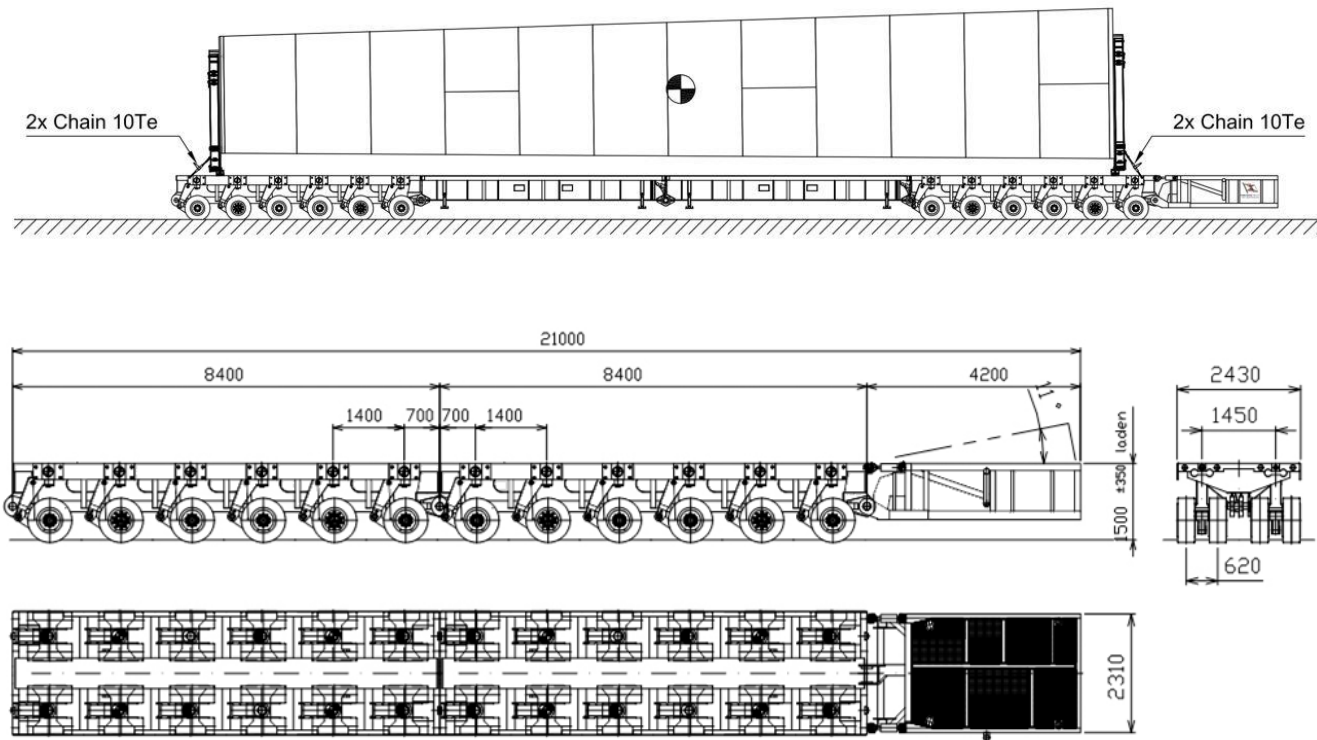


SILAMAS (MYANMAR) CO., LTD

Unit 21, Room #01, Shwe Ohn Pin Housing, Yan Shin Street, Yankin Township 11081, Yangon, Myanmar
www.silamas.com



SPMT



SILAMAS (MYANMAR) CO., LTD

Unit 21, Room #01, Shwe Ohn Pin Housing, Yan Shin Street, Yankin Township 11081, Yangon, Myanmar
www.silamas.com



Modular Hydraulic

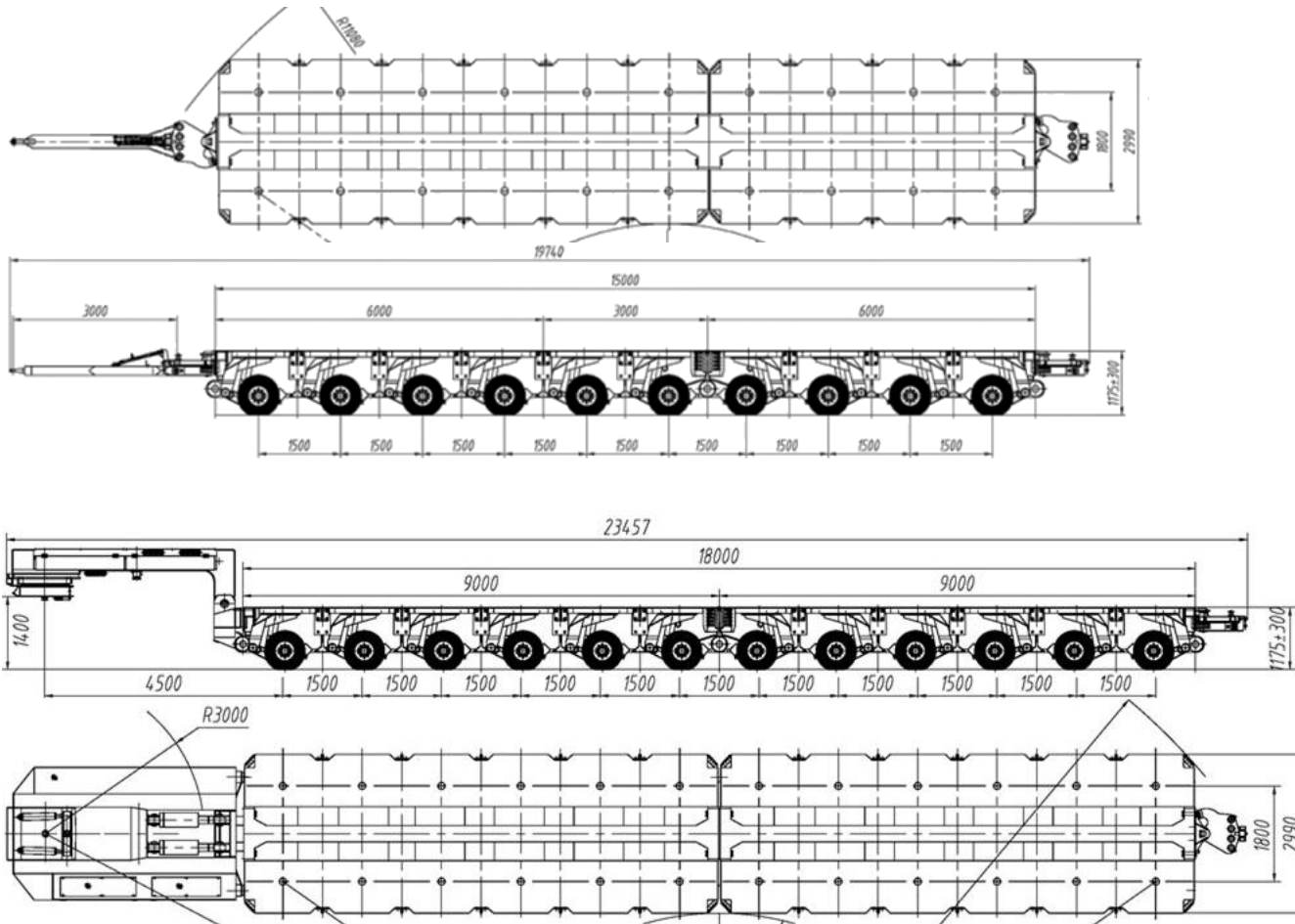


SILAMAS (MYANMAR) CO., LTD

Unit 21, Room #01, Shwe Ohn Pin Housing, Yan Shin Street, Yankin Township 11081, Yangon, Myanmar
www.silamas.com



Modular Hydraulic



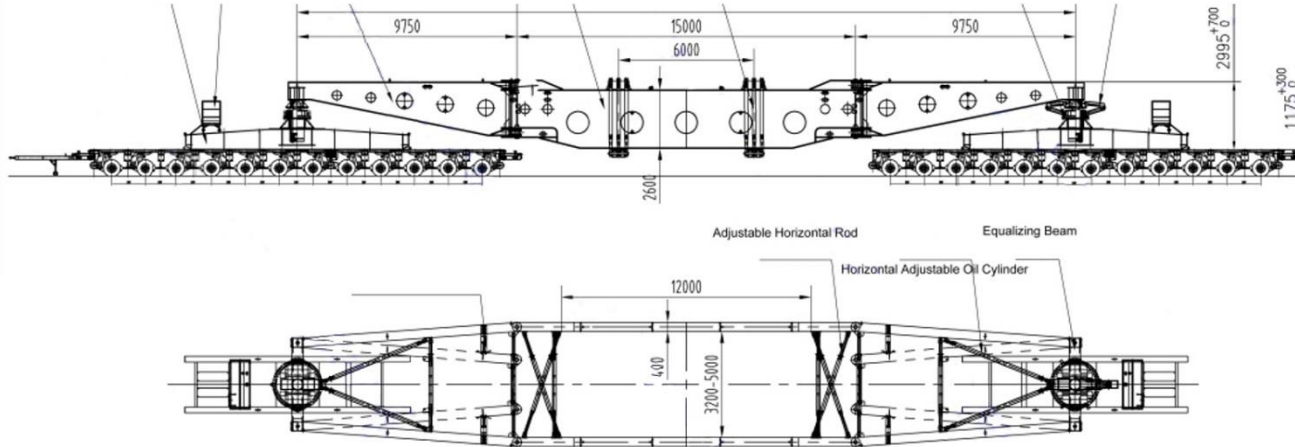
SILAMAS (MYANMAR) CO., LTD

Unit 21, Room #01, Shwe Ohn Pin Housing, Yan Shin Street, Yankin Township 11081, Yangon, Myanmar

www.silamas.com



Girder Bridge

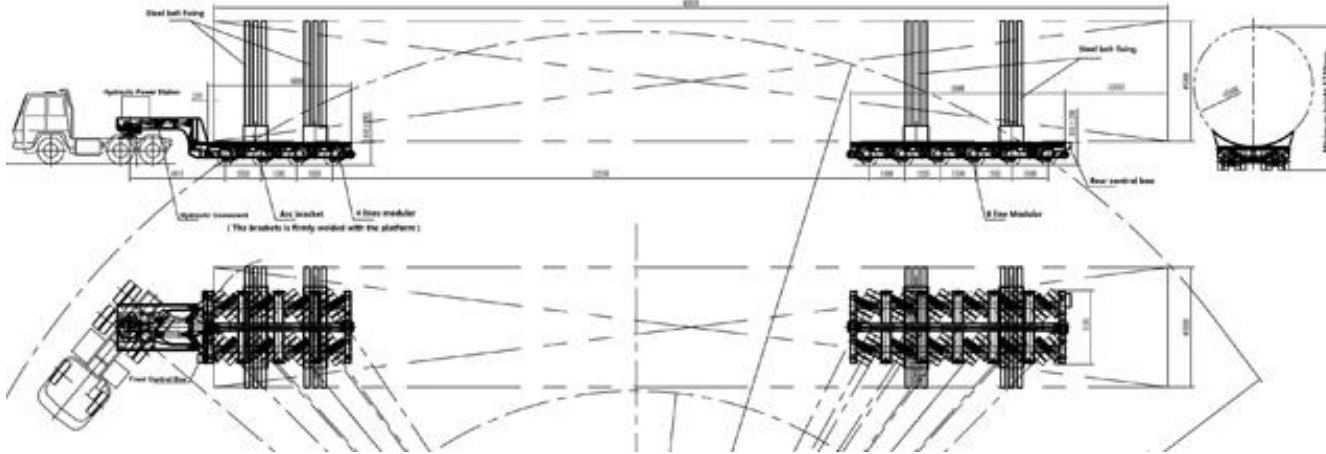


SILAMAS (MYANMAR) CO., LTD

Unit 21, Room #01, Shwe Ohn Pin Housing, Yan Shin Street, Yankin Township 11081, Yangon, Myanmar
www.silamas.com



Turn Table



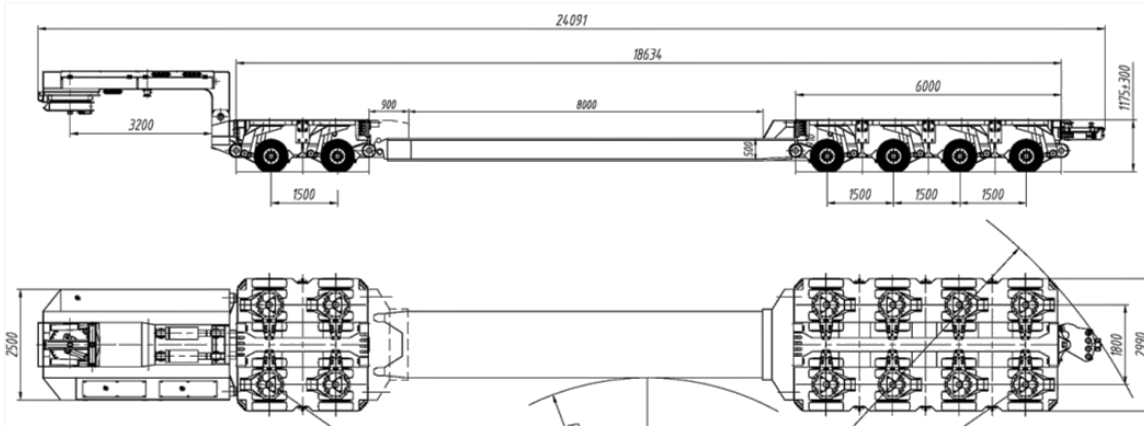
SILAMAS (MYANMAR) CO., LTD

Unit 21, Room #01, Shwe Ohn Pin Housing, Yan Shin Street, Yankin Township 11081, Yangon, Myanmar

www.silamas.com



Drop Deck



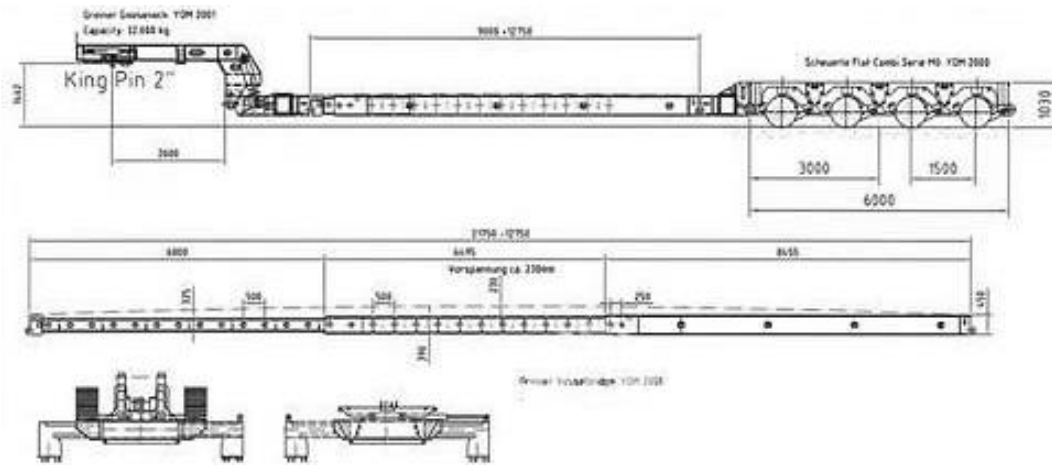
SILAMAS (MYANMAR) CO., LTD

Unit 21, Room #01, Shwe Ohn Pin Housing, Yan Shin Street, Yankin Township 11081, Yangon, Myanmar

www.silamas.com



Vessel Bridge

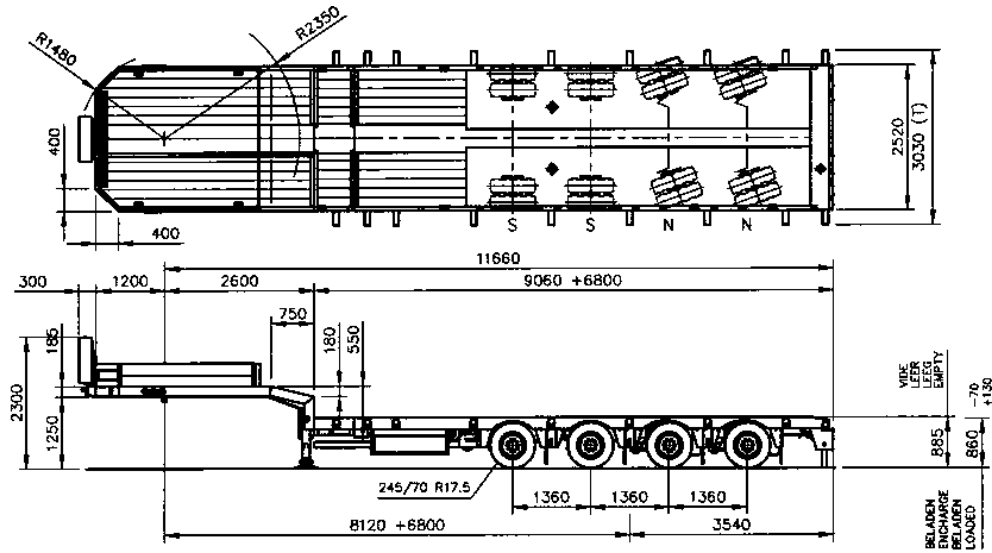


SILAMAS (MYANMAR) CO., LTD

Unit 21, Room #01, Shwe Ohn Pin Housing, Yan Shin Street, Yankin Township 11081, Yangon, Myanmar
www.silamas.com



Low Bed



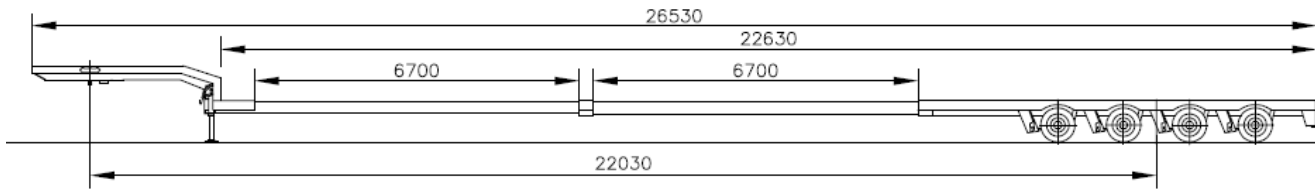
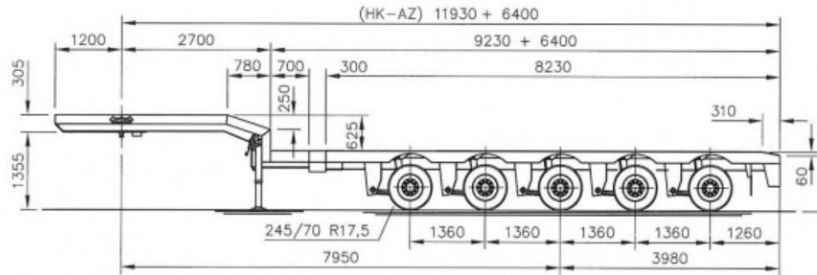
SILAMAS (MYANMAR) CO., LTD

Unit 21, Room #01, Shwe Ohn Pin Housing, Yan Shin Street, Yankin Township 11081, Yangon, Myanmar

www.silamas.com



Extendable



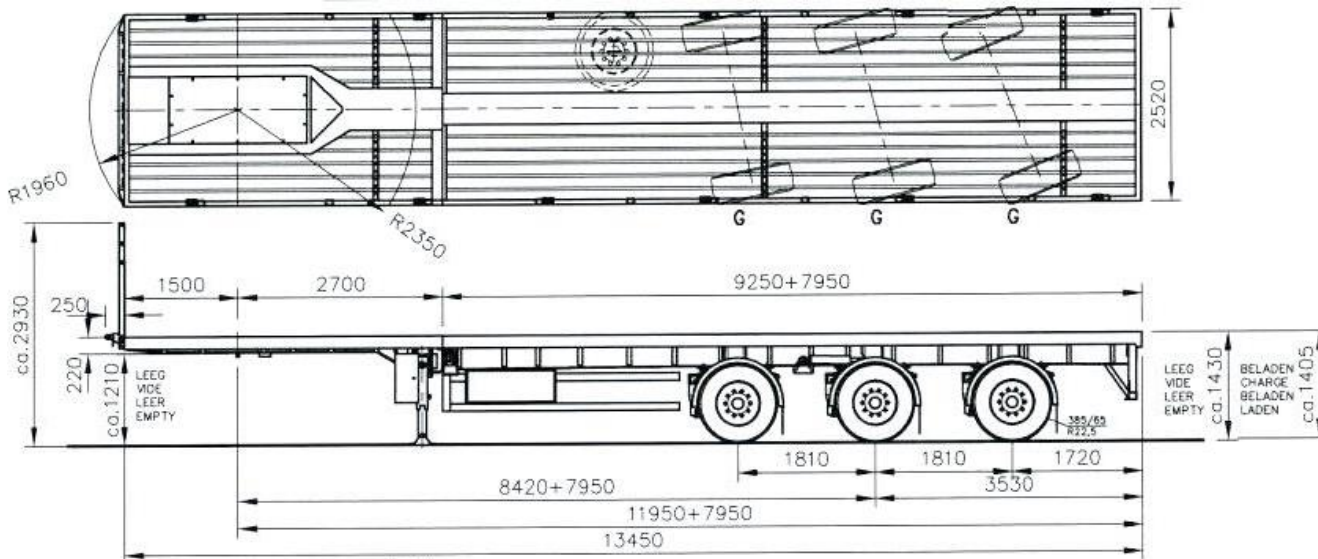
SILAMAS (MYANMAR) CO., LTD

Unit 21, Room #01, Shwe Ohn Pin Housing, Yan Shin Street, Yankin Township 11081, Yangon, Myanmar

www.silamas.com



Flat / High Bed

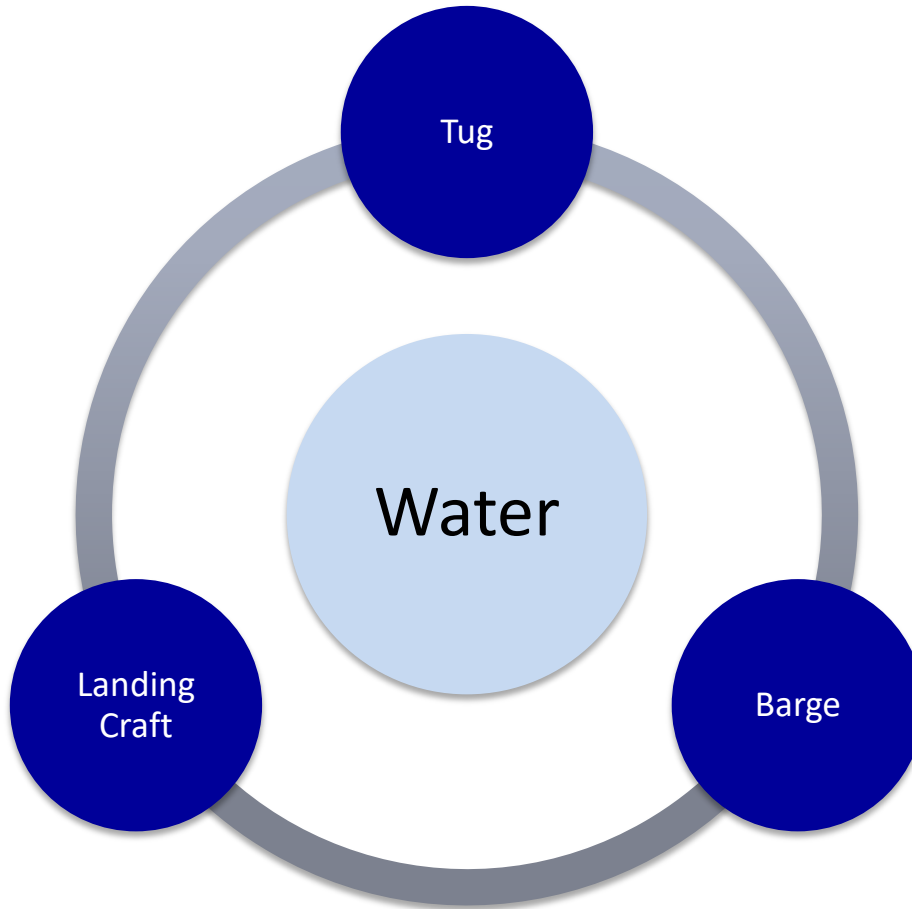


SILAMAS (MYANMAR) CO., LTD

Unit 21, Room #01, Shwe Ohn Pin Housing, Yan Shin Street, Yankin Township 11081, Yangon, Myanmar
www.silamas.com



Water



Tug



SILAMAS (MYANMAR) CO., LTD

Unit 21, Room #01, Shwe Ohn Pin Housing, Yan Shin Street, Yankin Township 11081, Yangon, Myanmar
www.silamas.com



Barge

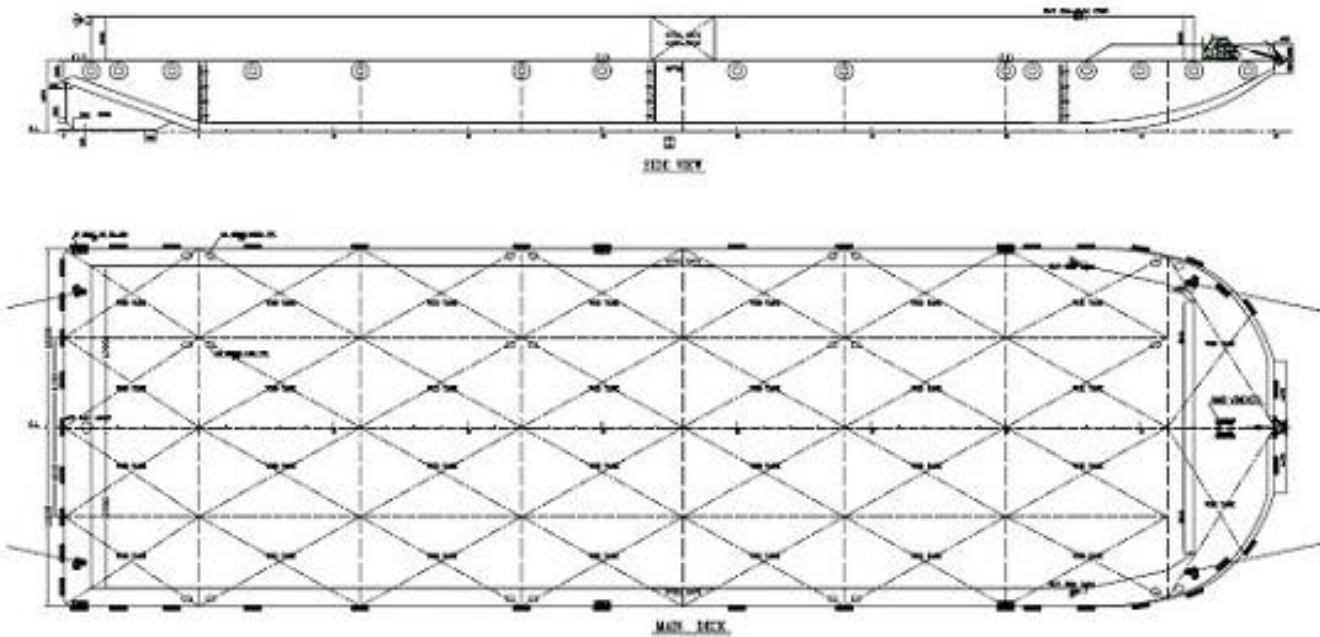


SILAMAS (MYANMAR) CO., LTD

Unit 21, Room #01, Shwe Ohn Pin Housing, Yan Shin Street, Yankin Township 11081, Yangon, Myanmar
www.silamas.com



Barge



SILAMAS (MYANMAR) CO., LTD

Unit 21, Room #01, Shwe Ohn Pin Housing, Yan Shin Street, Yankin Township 11081, Yangon, Myanmar
www.silamas.com



Landing Craft

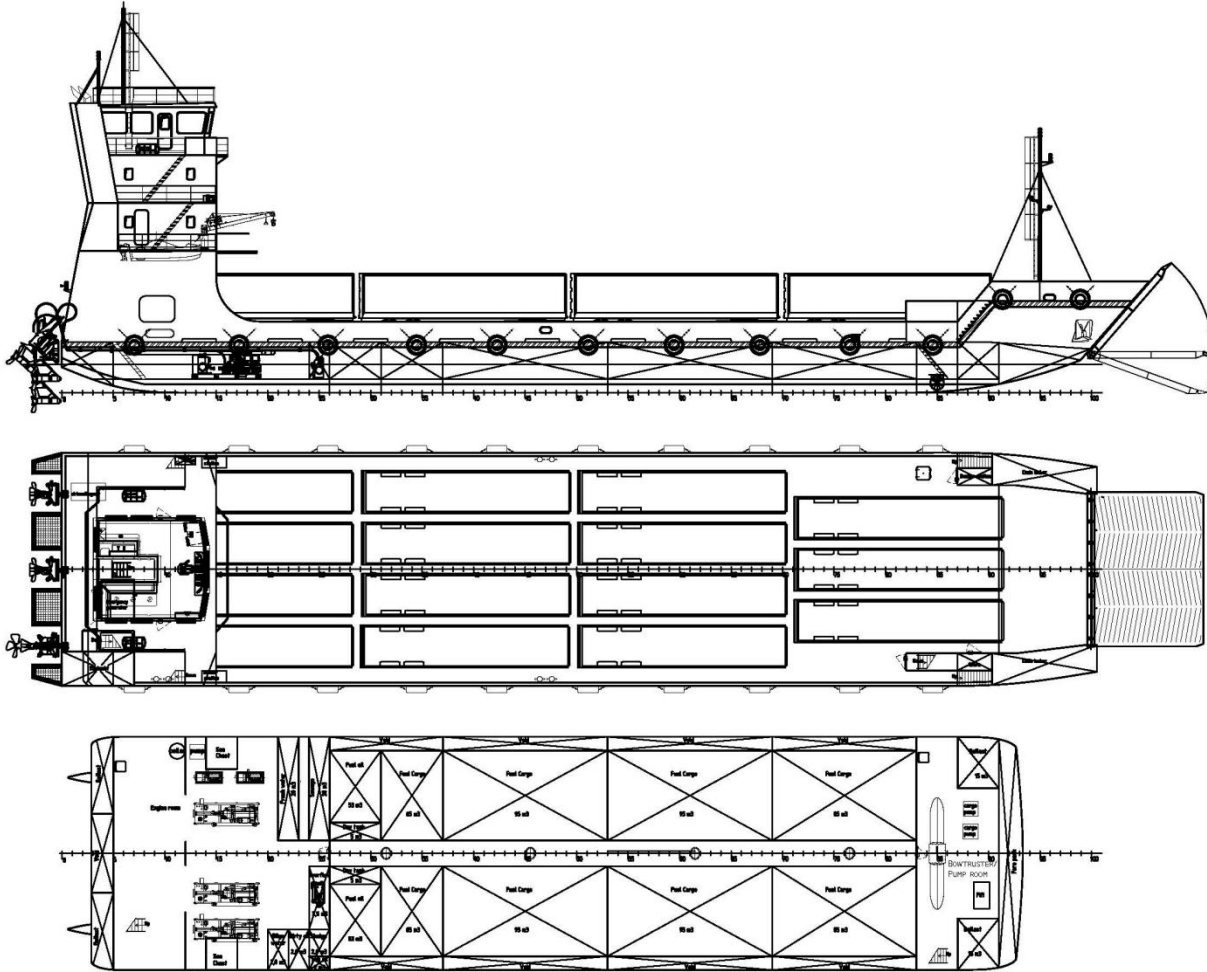


SILAMAS (MYANMAR) CO., LTD

Unit 21, Room #01, Shwe Ohn Pin Housing, Yan Shin Street, Yankin Township 11081, Yangon, Myanmar
www.silamas.com



Landing Craft



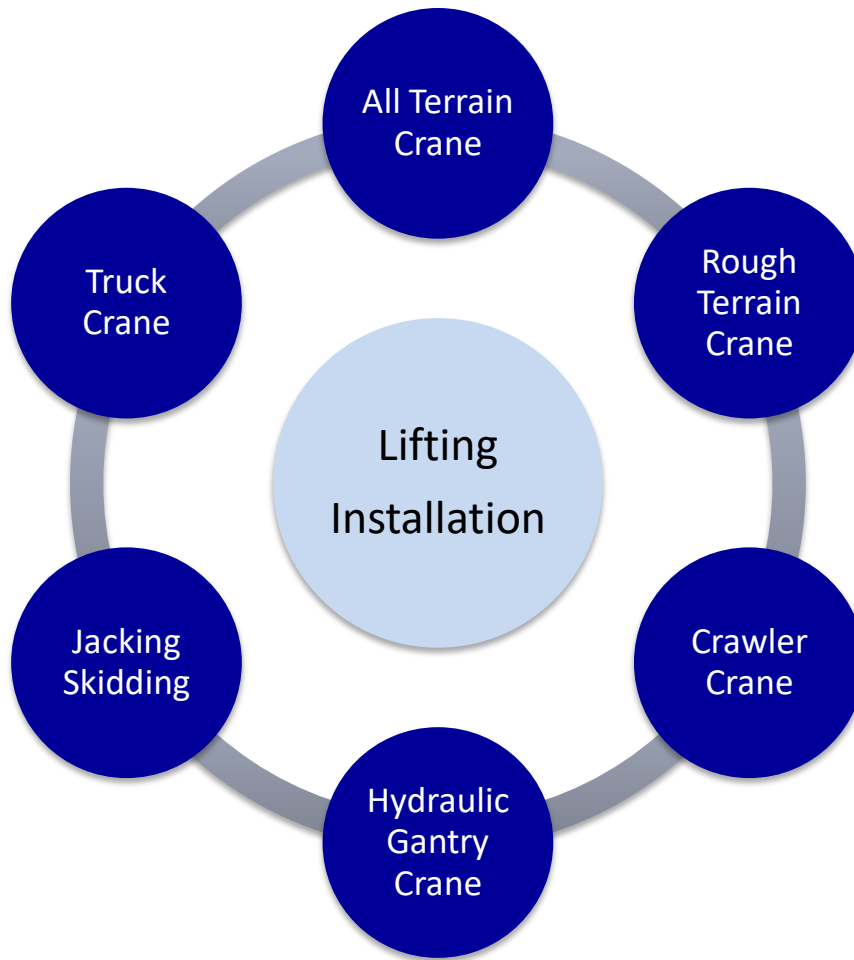
SILAMAS (MYANMAR) CO., LTD

Unit 21, Room #01, Shwe Ohn Pin Housing, Yan Shin Street, Yankin Township 11081, Yangon, Myanmar

www.silamas.com



Lifting / Installation



All Terrain Crane

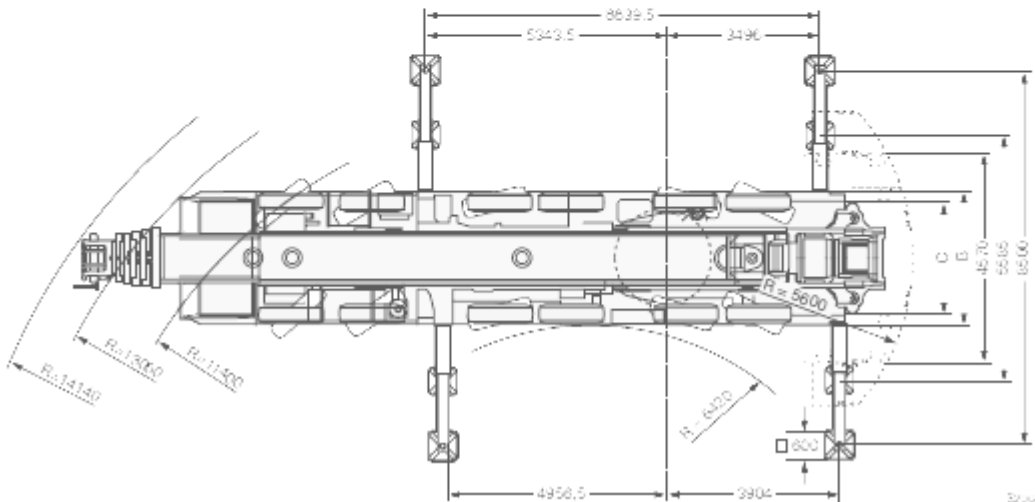
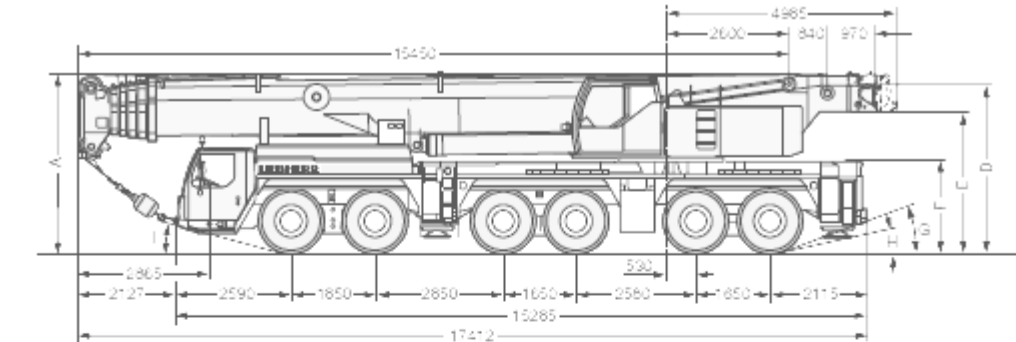


SILAMAS (MYANMAR) CO., LTD

Unit 21, Room #01, Shwe Ohn Pin Housing, Yan Shin Street, Yankin Township 11081, Yangon, Myanmar
www.silamas.com



All Terrain Crane



SILAMAS (MYANMAR) CO., LTD

Unit 21, Room #01, Shwe Ohn Pin Housing, Yan Shin Street, Yankin Township 11081, Yangon, Myanmar

www.silamas.com



Rough Terrain Crane

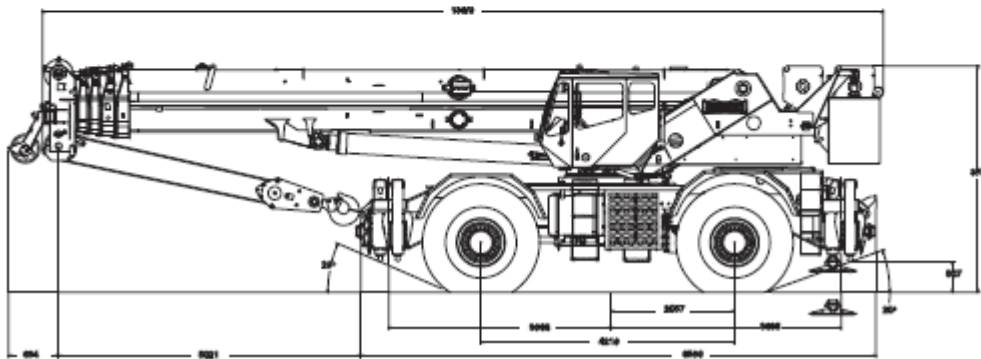
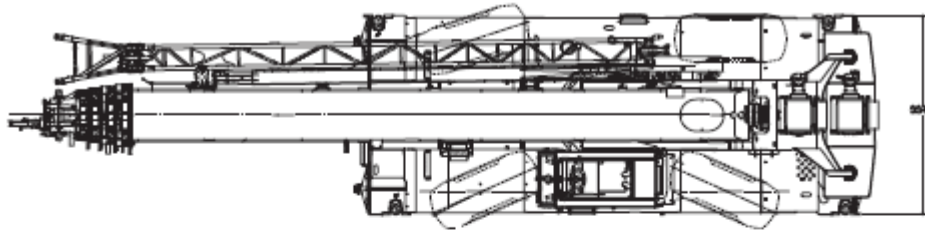


SILAMAS (MYANMAR) CO., LTD

Unit 21, Room #01, Shwe Ohn Pin Housing, Yan Shin Street, Yankin Township 11081, Yangon, Myanmar
www.silamas.com



Rough Terrain Crane



SILAMAS (MYANMAR) CO., LTD

Unit 21, Room #01, Shwe Ohn Pin Housing, Yan Shin Street, Yankin Township 11081, Yangon, Myanmar
www.silamas.com



Crawler Crane

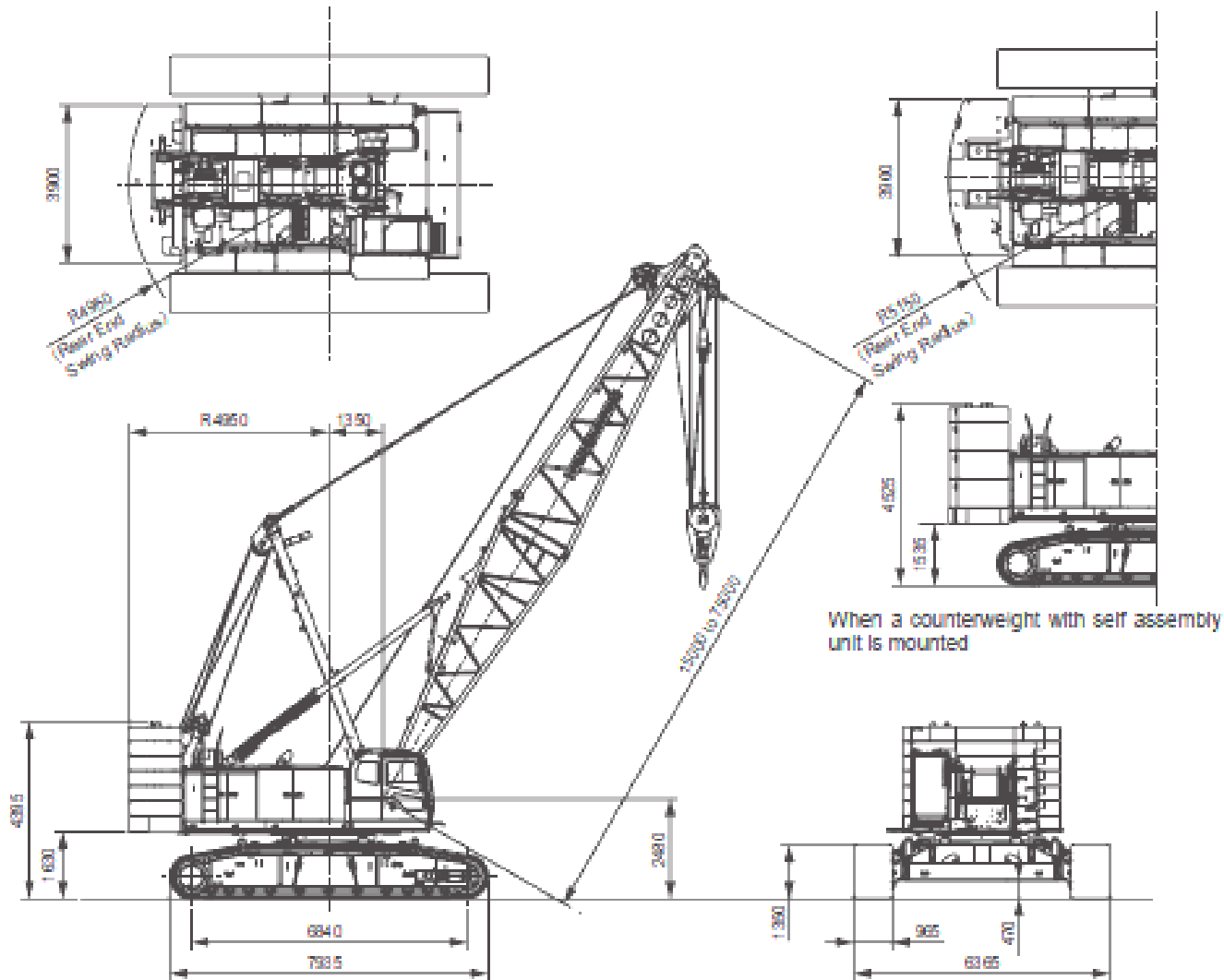


SILAMAS (MYANMAR) CO., LTD

Unit 21, Room #01, Shwe Ohn Pin Housing, Yan Shin Street, Yankin Township 11081, Yangon, Myanmar
www.silamas.com



Crawler Crane



SILAMAS (MYANMAR) CO., LTD

Unit 21, Room #01, Shwe Ohn Pin Housing, Yan Shin Street, Yankin Township 11081, Yangon, Myanmar

www.silamas.com



Hydraulic Gantry Crane

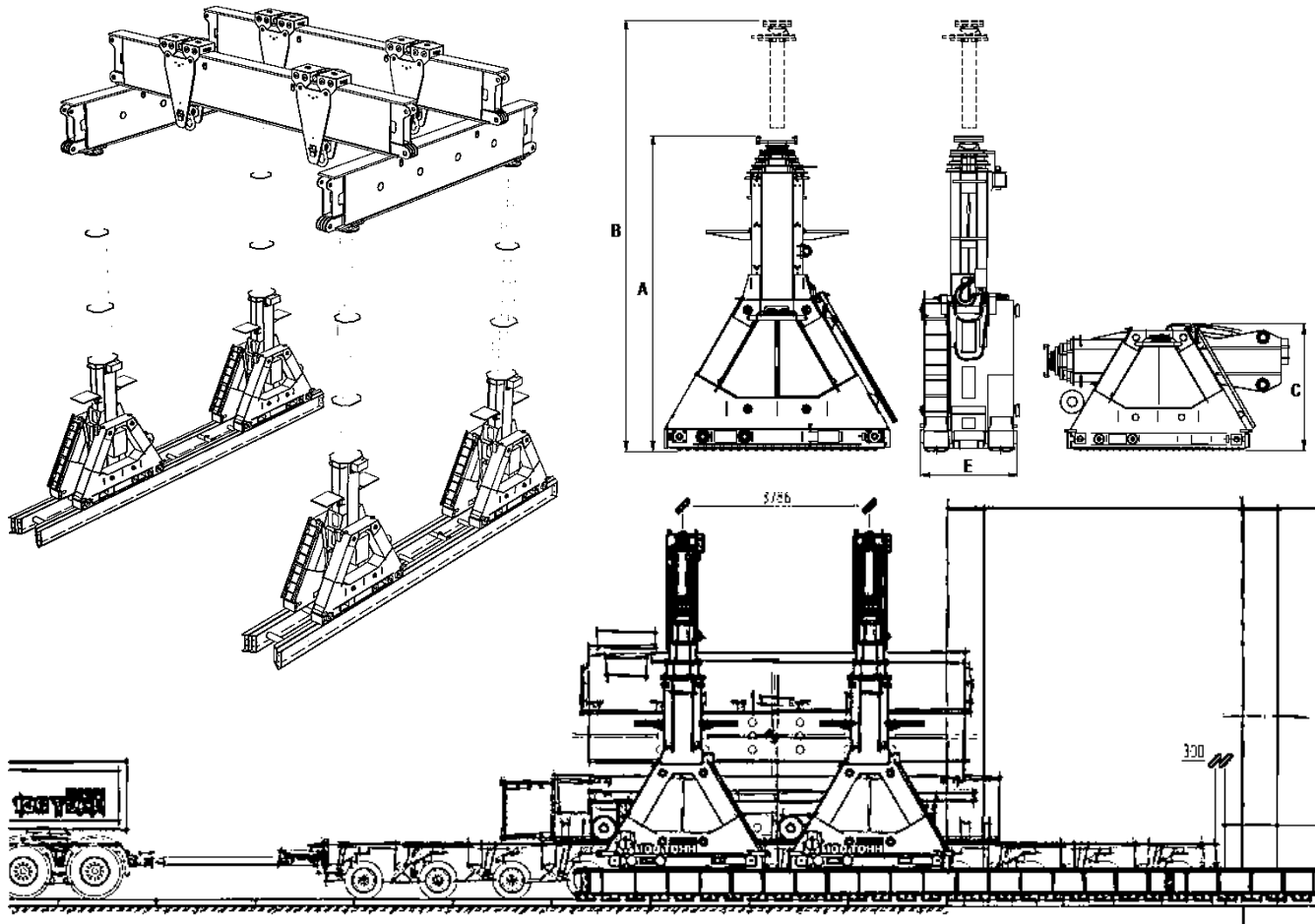


SILAMAS (MYANMAR) CO., LTD

Unit 21, Room #01, Shwe Ohn Pin Housing, Yan Shin Street, Yankin Township 11081, Yangon, Myanmar
www.silamas.com



Hydraulic Gantry Crane



SILAMAS (MYANMAR) CO., LTD

Unit 21, Room #01, Shwe Ohn Pin Housing, Yan Shin Street, Yankin Township 11081, Yangon, Myanmar

www.silamas.com



Jacking / Skidding



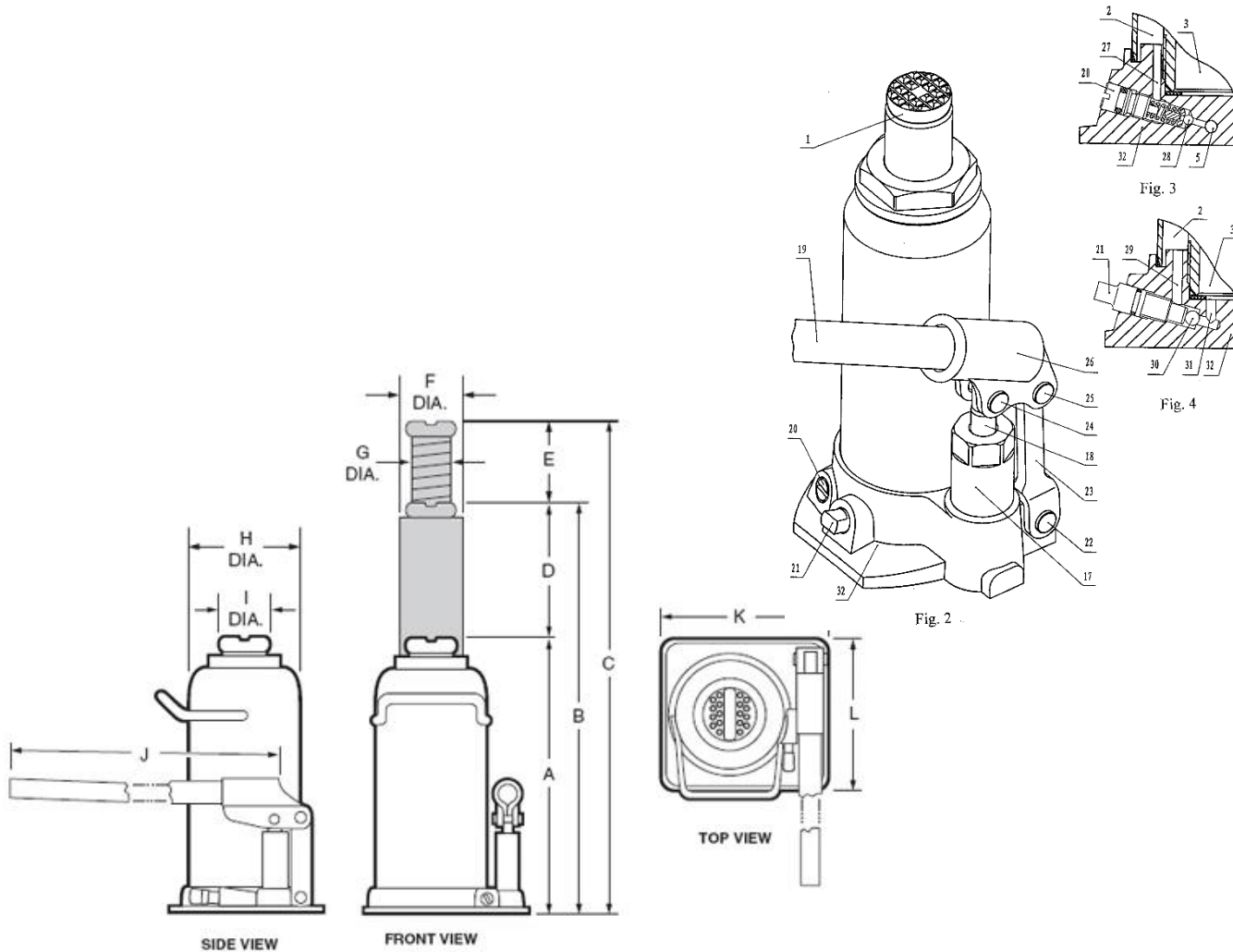
SILAMAS (MYANMAR) CO., LTD

Unit 21, Room #01, Shwe Ohn Pin Housing, Yan Shin Street, Yankin Township 11081, Yangon, Myanmar

www.silamas.com



Jacking / Skidding



Truck Crane

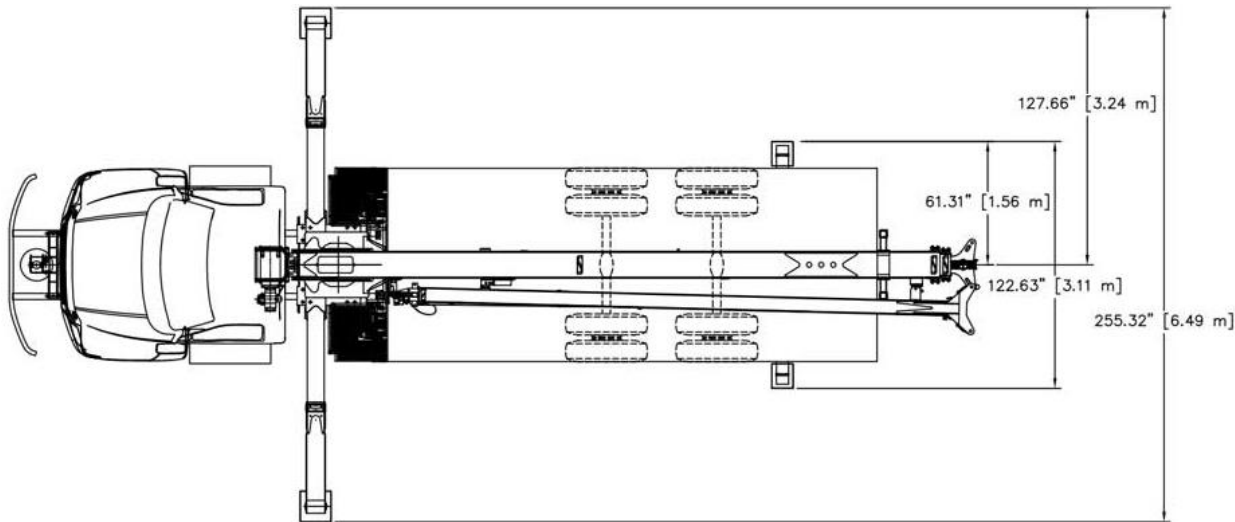
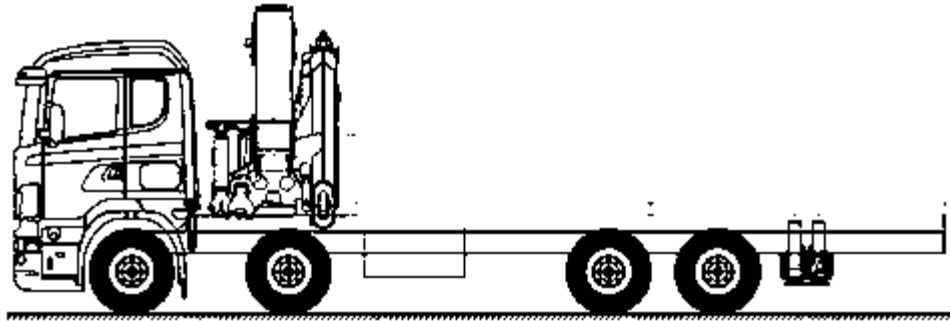


SILAMAS (MYANMAR) CO., LTD

Unit 21, Room #01, Shwe Ohn Pin Housing, Yan Shin Street, Yankin Township 11081, Yangon, Myanmar
www.silamas.com



Truck Crane

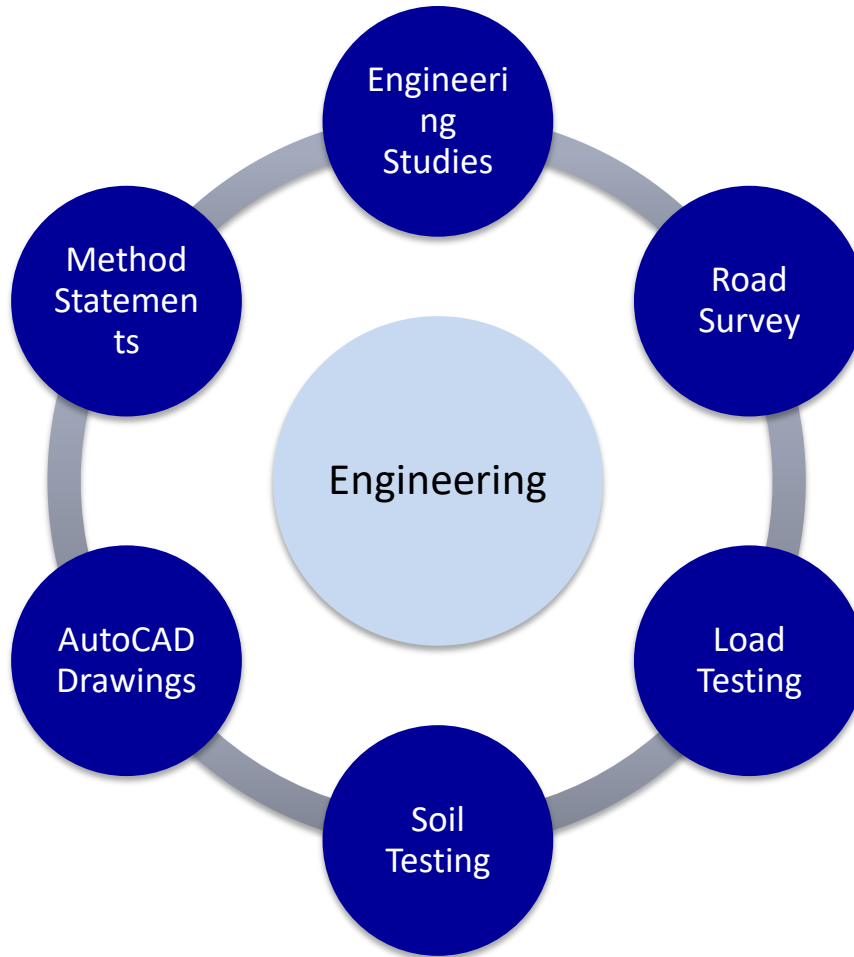


SILAMAS (MYANMAR) CO., LTD

Unit 21, Room #01, Shwe Ohn Pin Housing, Yan Shin Street, Yankin Township 11081, Yangon, Myanmar
www.silamas.com

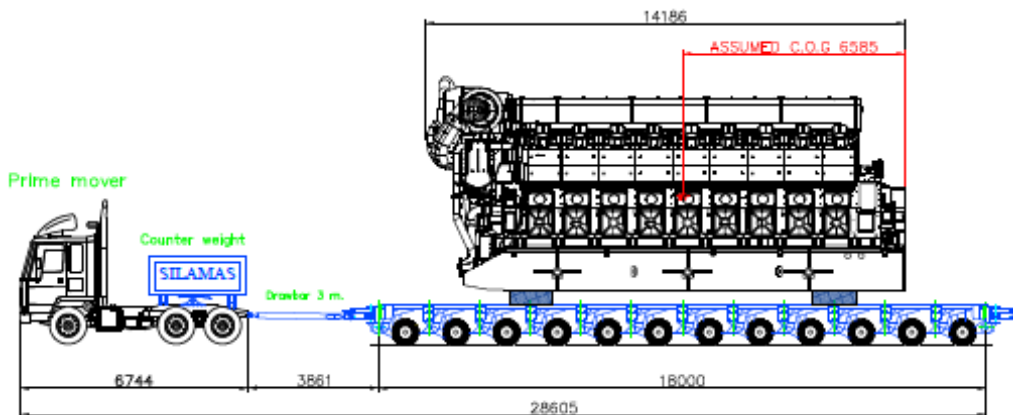
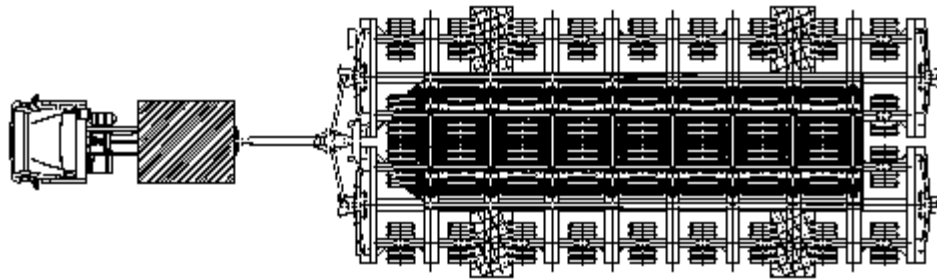


Engineering



Engineering

- Engineering Studies
- Method Statement
- AutoCAD Drawing
- Surveys





SILAMAS (MYANMAR) CO., LTD

Unit 21, Room #01, Shwe Ohn Pin Housing, Yan Shin Street, Yankin Township 11081, Yangon, Myanmar
www.silamas.com





Engineering

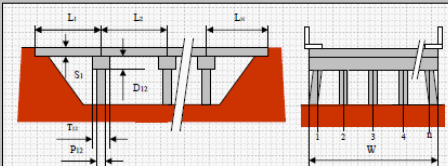
KM: 16.2 BRIDGE Nb: 4 - 3 SPANS SLAB BRIDGE

Refina:  

Distance to site: 23.7 km

PICTURE 018  21: 11:48

PICTURE 019 

BRIDGE SKETCH  BRIDGE DATA

Designation:
 N: Number of Span.
 n: Number of piles.
 LN: length of span N.
 SN: thickness of span N.
 TDN, N+1): Height of transverse beam.
 DON, N+1): Width of transverse beam.
 P1N, N+1): Piles dimensions.
 W: Bridge width.

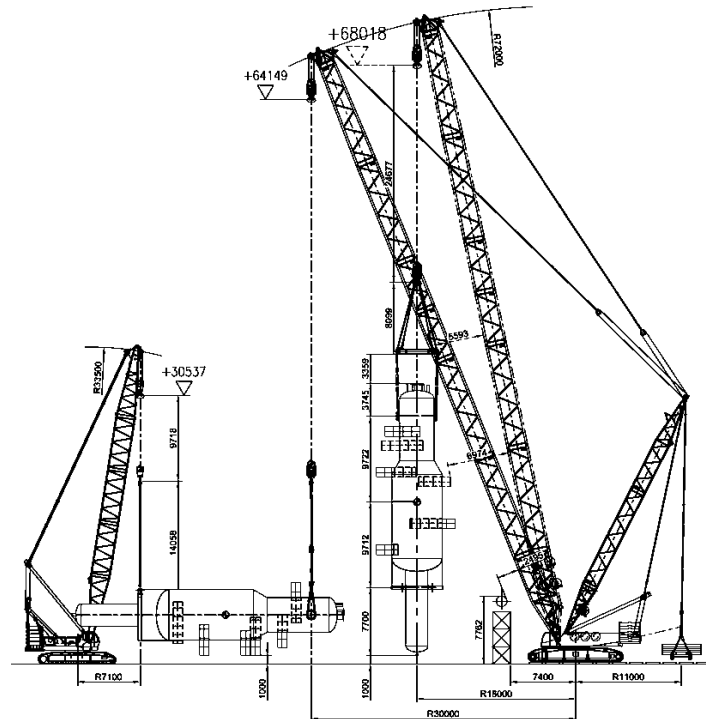
SLAB DATA

Span N:	Bridge Width W = 12 m		
	1	2	3
L _{span}	10000	10000	10000
S _{span}	500	500	500

PILES / SUPPORT DATA

Support Line Number:	1-2	2-3
n (nb. of piles)	9	9
P _{1(N, N+1)max}	500	500
D _{1(N, N+1)max}	700	700
P _{1(N, N+1)min}	400	400

Remarks:
 Bridge design as per Department Of Highway new standard.
 No obvious cracks or defects were recorded during the inspection.
 Notes: Inspection of the bridge was performed to record overall dimensions only. Special investigation need to be performed by a Thai Civil Engineer as required by Law.



HSEQ & CSR / ABAC



HSEQ & CSR / ABAC

- As MIC approved company we are committed to:
- Implementation of a strict HSEQ program
- Apply internationally recognized standards
- Supported by training, development programs, campaigns, SOP booklets
- CSR program giving staff training to maintain equipment and to produce their own trailers
- Full Anti Bribery and Corruption policy

Full compliance policy!





Silamas (Myanmar) Co., Ltd

Engineered Transport and Lifting Solutions

Unit 21, Room #01, Shwe Ohn Pin Housing,
Yanshin Street, Yankin Township, Yangon 11081

MIC License 10/2017

